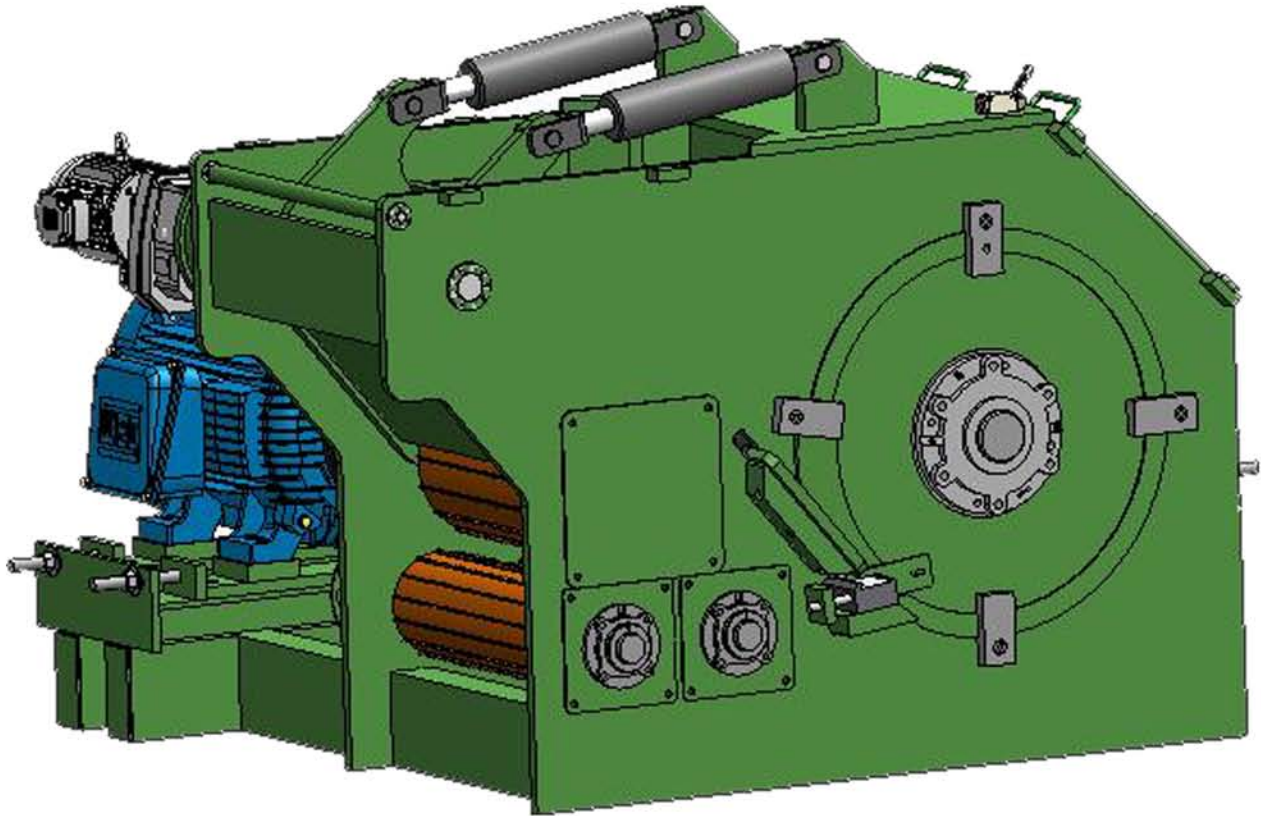


# Drum Chipper

## Round wood to mini chips

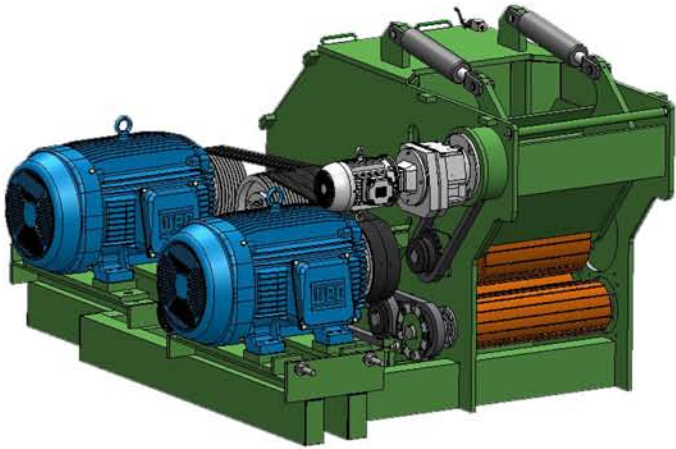


Material reduction to 1/8"  
Low HP compared to hammer mill  
Adjustable screens  
Adjustable particle size  
Various width  
Re- grindable knives

**PSi**  
Pellet Systems International

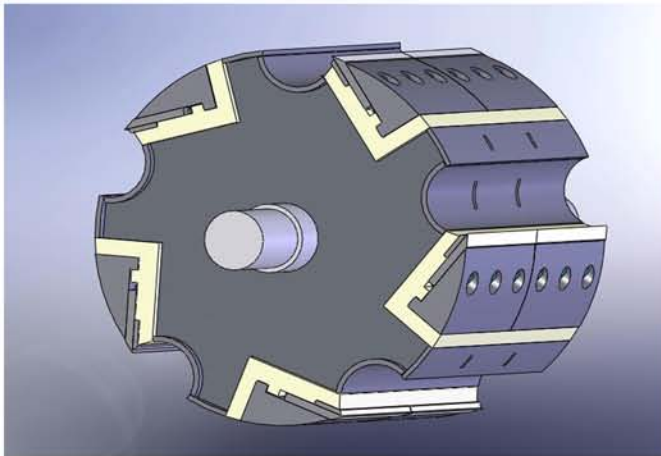
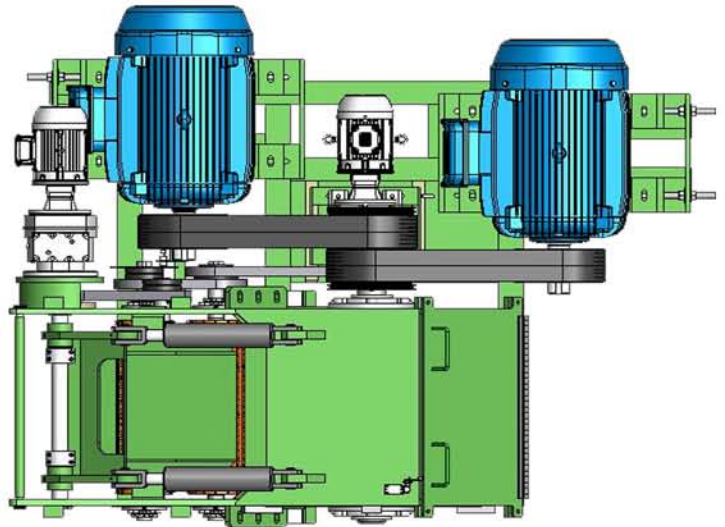
# Horizontal Feed Drumchipper

Round Wood to Mini Chips (1/8)



- Reduction of roundwood to Mini chips
- Adjustable chip size
- From 1/8 to 3/4 in length
- Various screens to match particle size, material and application
- Softwood or hardwood

- High speed chipper knife design
- Optional Stellite or Carbide knives
- Adjustable knife length
- High speed face knife
- 8 knife or 5 knife head
- Taper locks for head
- Welded head design



- Head width 24" wide
- Head diameter 30" diameter
- 4 7/16 shaft
- Double spherical roller bearings
- 100 hp to 600 hp designed for your application
- Multi edge reversible anvil insert

Pellet Systems International  
26 Pinder Road  
Nackawic, NB E6G 1W3  
Tel: (506) 575-2231  
Fax: (506) 575-2380  
e-mail: [info@pelletsystems.com](mailto:info@pelletsystems.com)  
web: [www.pelletsystems.com](http://www.pelletsystems.com)

**PSi**  
Pellet Systems International